

FAG

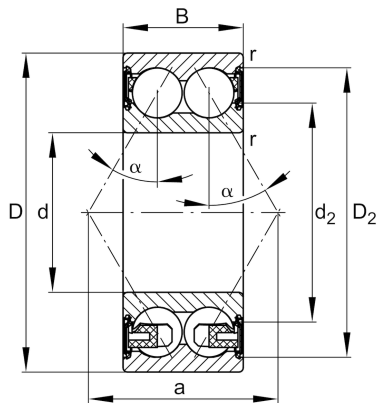
3208-BD-XL-2HRS-TVH-C3

Angular contact ball bearing

Schaeffler ID:
0638556070030Angular contact ball bearing 32..-BD-
XL-2HRS-TVH, double row, X-life, seals,
plastic cage

X-life

Technical information



Main Dimensions & Performance Data

d	40 mm	Bore diameter
D	80 mm	Outside diameter
B	30.2 mm	Width
C_r	51,000 N	Basic dynamic load rating, radial
C_{0r}	38,000 N	Basic static load rating, radial
C_{ur}	2,650 N	Fatigue load limit, radial
n_G	6,700 1/min	Limiting speed
	0.592 kg	Weight

Mounting dimensions

$d_{a \min}$	47 mm	Minimum diameter shaft shoulder
$D_{a \max}$	73 mm	Maximum diameter of housing shoulder
$r_{a \max}$	1 mm	Maximum fillet radius

Dimensions

r_{\min}	1.1 mm	Minimum chamfer dimension
D_2	72.6 mm	Caliber diameter outer ring
d_2	52.8 mm	Caliber diameter inner ring
a	47.4 mm	Distance between the apexes of the pressure cones
α	30 °	Contact angle

Temperature range

T_{\min}	-20 °C	Operating temperature min.
T_{\max}	100 °C	Operating temperature max.